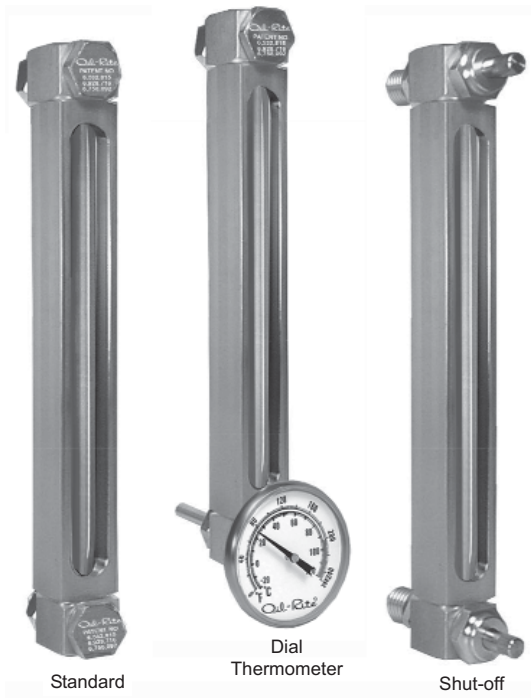


Level Gage...Flush Aluminum



Milled Aluminum Liquid Level Gage These flush mount gages offer a rugged milled aluminum construction with a unique staked end body design to handle any industrial liquid level application.

These gages can be used to view liquid levels in hydraulic reservoirs, gearboxes, bearing housings, crankcases, transformers and machinery oil reservoirs.

Fluid enters through a cross hole in the hollow lower bolt and is communicated back into the tank, through the cross hole in the hollow top bolt. The gage is offered in centerline lengths ranging from 3" to 36".

The unique design of this gage minimizes parts and optimizes production capabilities thus offering a very competitive liquid level gage. The milled aluminum body provides adequate fluid visibility yet a rigid gage design. All aluminum components resist rust and corrosion.

SPECIFICATIONS:

- Pressure 175 PSI Max.
 - Temperature 225° F. Max. Buna N Seals
 - Body Aluminum
 - Seals Buna-N, (standard)
 - Mounting Kits Aluminum, Plated Steel
(Shut-off Mounting Kits - Stem, Brass)
- Torque Mounting Studs Torque to 90 IN*LB When Installing Level Gage.**

Patent Number 6,928,716 6,758,092 6,532,815

ORDERING EXAMPLE

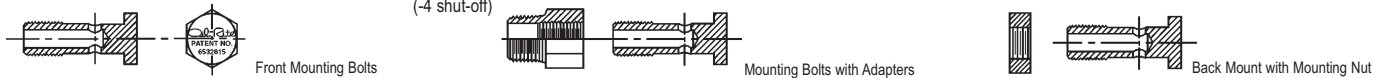
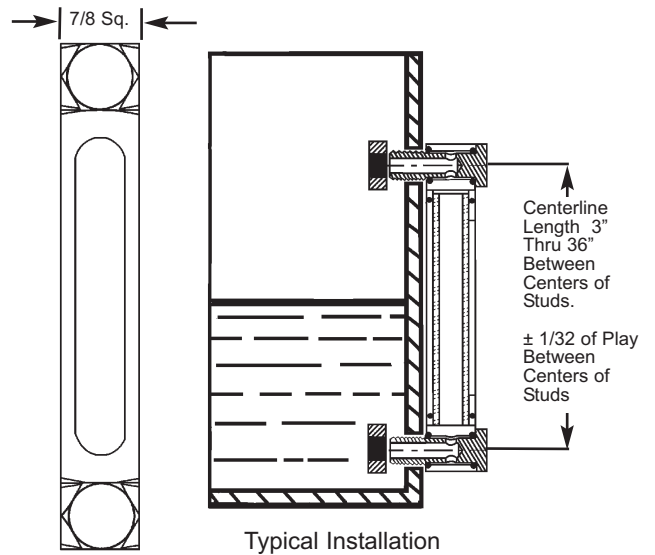
Please include the following:

- Gage Series
- Gage Description
- Whole inch value (3" to 36")
- Fractional Portion of Centerline Length
- Seal Material
- Mounting Kit

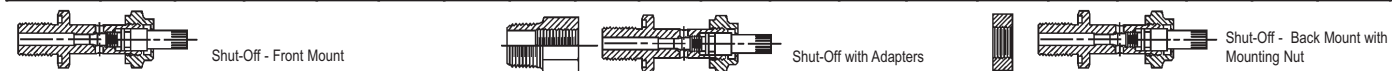
Example below: (B3540-2 05 16 B A1W) a Staked Aluminum Level Gage w/Dial Thermometer, 5-1/2" centerline length, Buna-N seals with front mounting, 1/2-20 thread size.

B 3 5 4 0 - 2 0 5 1 6 B A 1 W

- Milled Aluminum Level Gage Series
- Whole inch value of centerline length (3" to 36")
- Fractional portion of centerline length (in 32nds)
example 1/2" = 16/32" or Non Fractional = 00/32"
- Gage description
(-1 standard)
(-2 dial thermometer)
(-3 card thermometer)
(only available in 3", 5" or 10" centerline)
(-4 shut-off)
- Seal Material
B - Buna-N E - EPDM
V - Viton® S - Silicone
- Mounting Kit
A1W - 1/2-20 Front Mount
(optional mounting kits below)



	Front Mount			Back Mount	with NPT Adapters				with NPTF Adapters				with NPSM Adapters				with BSPT Adapters			
	M12 x 1.75 stud	1/2-13 stud	1/2-20 stud	1/2-20 stud	3/4 NPT	1/2 NPT	3/8 NPT	1/4 NPT	3/4 NPTF	1/2 NPTF	3/8 NPTF	1/4 NPTF	3/4 NPSM	1/2 NPSM	3/8 NPSM	1/4 NPSM	3/4 BSPT	1/2 BSPT	3/8 BSPT	1/4 BSPT
-1	M1W	A2W	A1W	B1W	N4W	N3W	N2W	N1W	F4W	F3W	F2W	F1W	P4W	P3W	P2W	P1W	R4W	R3W	R2W	R1W
-2			A1W	B1W	N4W	N3W	N2W	N1W	F4W	F3W	F2W	F1W	P4W	P3W	P2W	P1W	R4W	R3W	R2W	R1W
-3	M1W	A2W	A1W	B1W	N4W	N3W	N2W	N1W	F4W	F3W	F2W	F1W	P4W	P3W	P2W	P1W	R4W	R3W	R2W	R1W
-4			A1L	B1L	N4L	N3L	N2L	N1L	F4L	F3L	F2L	F1L	P4L	P3L	P2L	P1L	R4L	R3L	R2L	R1L



Viton® is a registered trademark of DuPont