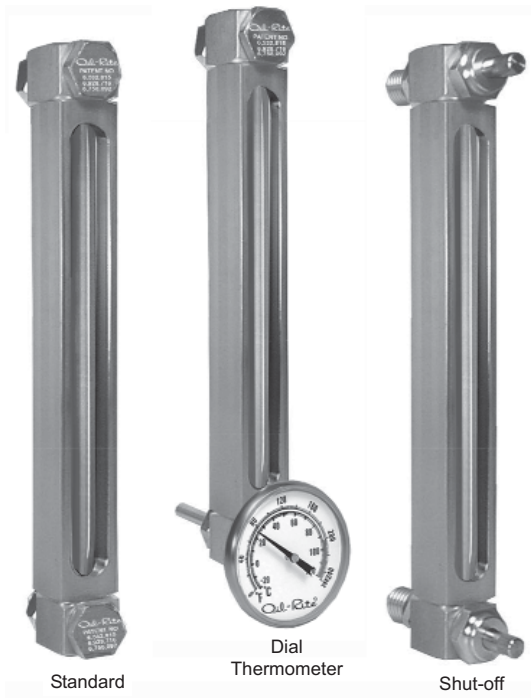


# Level Gage...Flush Aluminum



**Milled Aluminum Liquid Level Gage** These flush mount gages offer a rugged milled aluminum construction with a unique staked end body design to handle any industrial liquid level application.

These gages can be used to view liquid levels in hydraulic reservoirs, gearboxes, bearing housings, crankcases, transformers and machinery oil reservoirs.

Fluid enters through a cross hole in the hollow lower bolt and is communicated back into the tank, through the cross hole in the hollow top bolt. The gage is offered in centerline lengths ranging from 3" to 36".

The unique design of this gage minimizes parts and optimizes production capabilities thus offering a very competitive liquid level gage. The milled aluminum body provides adequate fluid visibility yet a rigid gage design. All aluminum components resist rust and corrosion.

## SPECIFICATIONS:

- Pressure: 175 PSI Max.
  - Temperature: 225° F. Max. Buna N Seals
  - Body: Aluminum
  - Seals: Buna-N, (standard)
  - Mounting Kits: Aluminum, Plated Steel (Shut-off Mounting Kits - Stem, Brass)
- Torque** **Mounting Studs Torque to 90 IN\*LB When Installing Level Gage.**

Patent Number 6,928,716 6,758,092 6,532,815

## ORDERING EXAMPLE

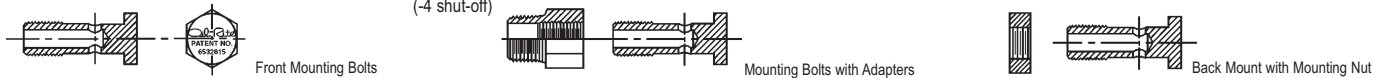
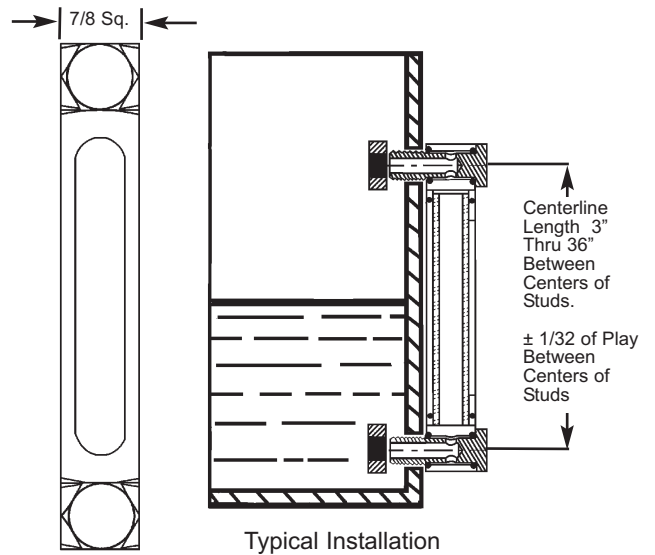
Please include the following:

- Gage Series
- Gage Description
- Whole inch value (3" to 36")
- Fractional Portion of Centerline Length
- Seal Material
- Mounting Kit

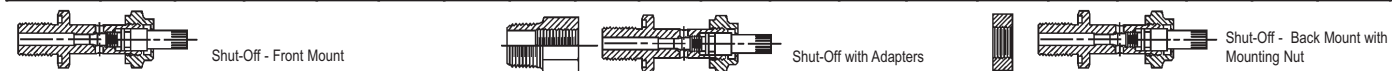
Example below: (B3540-2 05 16 B A1W) a Staked Aluminum Level Gage w/Dial Thermometer, 5-1/2" centerline length, Buna-N seals with front mounting, 1/2-20 thread size.

**B 3 5 4 0 - 2 0 5 1 6 B A 1 W**

- Milled Aluminum Level Gage Series
- Whole inch value of centerline length (3" to 36")
- Fractional portion of centerline length (in 32nds) example 1/2" = 16/32" or Non Fractional = 00/32"
- Gage description (-1 standard, -2 dial thermometer, -3 card thermometer, -4 shut-off)
- Seal Material: B - Buna-N, E - EPDM, V - Viton®, S - Silicone
- Mounting Kit: A1W - 1/2-20 Front Mount (optional mounting kits below)



|    | Front Mount     |             |             | Back Mount  | with NPT Adapters |         |         |         | with NPTF Adapters |          |          |          | with NPSM Adapters |          |          |          | with BSPT Adapters |          |          |          |
|----|-----------------|-------------|-------------|-------------|-------------------|---------|---------|---------|--------------------|----------|----------|----------|--------------------|----------|----------|----------|--------------------|----------|----------|----------|
|    | M12 x 1.75 stud | 1/2-13 stud | 1/2-20 stud | 1/2-20 stud | 3/4 NPT           | 1/2 NPT | 3/8 NPT | 1/4 NPT | 3/4 NPTF           | 1/2 NPTF | 3/8 NPTF | 1/4 NPTF | 3/4 NPSM           | 1/2 NPSM | 3/8 NPSM | 1/4 NPSM | 3/4 BSPT           | 1/2 BSPT | 3/8 BSPT | 1/4 BSPT |
| -1 | M1W             | A2W         | A1W         | B1W         | N4W               | N3W     | N2W     | N1W     | F4W                | F3W      | F2W      | F1W      | P4W                | P3W      | P2W      | P1W      | R4W                | R3W      | R2W      | R1W      |
| -2 |                 |             | A1W         | B1W         | N4W               | N3W     | N2W     | N1W     | F4W                | F3W      | F2W      | F1W      | P4W                | P3W      | P2W      | P1W      | R4W                | R3W      | R2W      | R1W      |
| -3 | M1W             | A2W         | A1W         | B1W         | N4W               | N3W     | N2W     | N1W     | F4W                | F3W      | F2W      | F1W      | P4W                | P3W      | P2W      | P1W      | R4W                | R3W      | R2W      | R1W      |
| -4 |                 |             | A1L         | B1L         | N4L               | N3L     | N2L     | N1L     | F4L                | F3L      | F2L      | F1L      | P4L                | P3L      | P2L      | P1L      | R4L                | R3L      | R2L      | R1L      |



Viton® is a registered trademark of DuPont