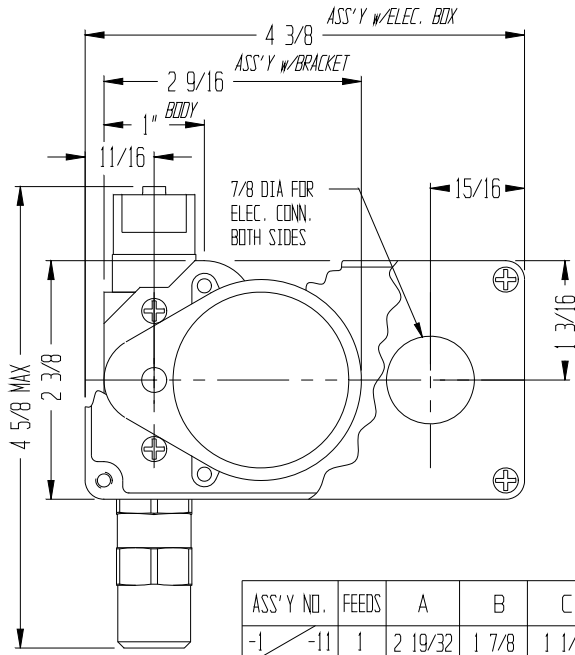


PROPERTY OF OIL-RITE CORPORATION

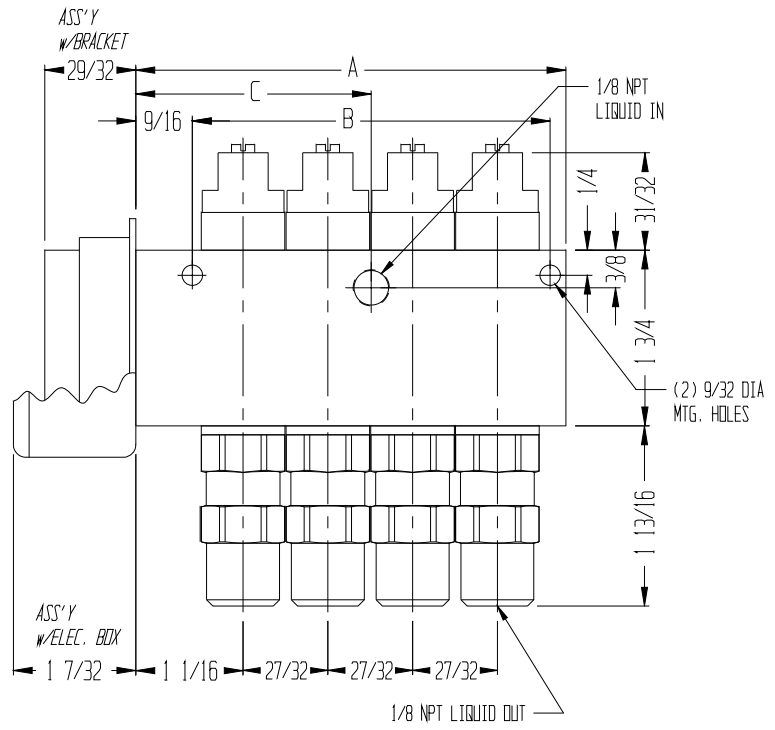
This print is loaned only and subject to return upon demand, and upon the express condition that it is not to be reproduced or copied, or information from it furnished to others, or to be used in any way detrimental to the interests of Oil-Rite Corporation.

REV	CD NO	CHANGE	BY	DATE	APVD
-	-	-	-	-	-
-	-	-	-	-	-
-	-	-	-	-	-



ASS'Y NO.
B-3474
SHOWN

ASS'Y NO.	FEEDS	A	B	C
-1/-11	1	2 19/32	1 7/8	1 1/2
-2/-12	2	2 19/32	1 7/8	1 1/2
-3/-13	3	3 15/32	2 3/4	2 11/32
-4/-14	4	4 9/32	3 9/16	2 11/32



I) INSTALLATION

A. Mounting:

Two 9/32 dia mounting holes thru body. Secure to flat surface. Pump may be mounted in any position (such as up side down).

B. Electrical and Liquid Connections:

1. Connect electrical leads to power source.
2. Attach suction line to 1/8 N.P.T. liquid inlet.
3. Attach discharge lines to 1/8 N.P.T. liquid outlets.

II) OPERATION:

A. Start-Up Procedure:

1. Fill reservoir with liquid to be pumped.
2. Pump is ready to operate.
3. For faster start-up, prefill lines or motor may be removed & the pump cycled w/screw driver.

NOTE: START UP PROCEDURE MUST BE DONE IN A CLEAN ENVIRONMENT.

B. Liquid Output Adjustment:

1. Use the adjustment stem atop each feed in conjunction with the motor speed. Individual conditions may vary.
2. Do not push on adjustment stem or pump may be damaged.
3. Each clockwise turn of the adjustment stem reduces output by:
.002 in³/.03 cc/.001 oz./1.78 (1/8 dia) drops.
4. Max output, per cycle, per feed, with adjustment stem backed all the way out:
.009 in³/.147 cc/.005 oz./9 (1/8 dia) drops.

SPECIFICATIONS:

SEALS: BUNA/VITON STANDARD
OTHER MATERIALS: ALUMINUM, BRASS, DELRIN
STEEL, STAINLESS STEEL, & NYLON

- A-5930 CARTRIDGE REPLACEMENT
- A-5993 SPARE PARTS LIST
- A-5150 SEAL KIT
- A-5136 O-RING INSTALLATION TOOL



TOLERANCES UNLESS OTHERWISE SPECIFIED
FRACTIONAL ± 1/64
DECIMAL .XX ± .020
DECIMAL .XXX ± .005
DECIMAL .XXXX ± .002
ANGLES ± 1 DEG
ASSEMBLIES: ALL DIMENSIONS ARE REF.

SCALE: NONE
DATE: 07-14-00
DRAWN: SD
APV'D: MW

TITLE:
INSTALLATION & OPERATION INSTRUCTIONS
EXTERNAL ADJUSTMENT MOTOR OPERATED
PurgeX ASS'Y B-3474 (AC MOTOR) &
B-3475 (DC MOTOR)

DRAWING NUMBER:
A-5977
REV: -